

**ACCU
POWER**

Especially
acetic acid
resistant

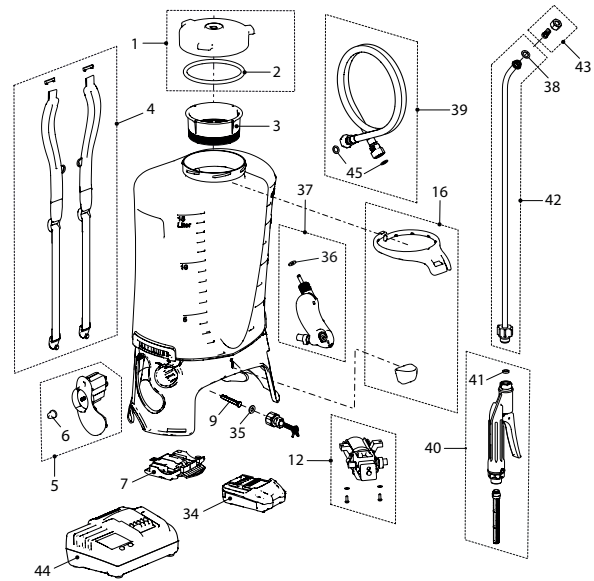
**Performance
characteristic**

- 0.5 – 3 bar
- 1.7 h / 190 litres*
- 18 V Li-Power / 2.0 Ah
- Battery < 80 min

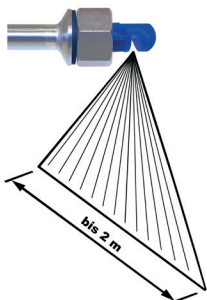
* approx. 1.5 bar



Organic Star 15 Accu



Organic Star 15 Accu, backpack sprayer (15 litres) with battery pack, with charger EU	12098101	011776	
Organic Star 15 Accu, backpack sprayer (15 litres) without battery pack, without charger	12142201	038438	
Accessories (Pictures see page 78 ff)			
Spray tube 1 m, stainless steel, G1/4"e-G1/4"e	11669802	110578	
Professional spray hood oval, screw fitting, brass free	12162401	053189	
Spray hood round, ø12.5 cm, screw fitting	11998601	710891	
No	Gasket set consisting of:	12098701	011905
2	Gasket 108x7		
9	Filter		
35	Gasket 15x7x1.5		
36	Gasket 15x5.5x2		
41	Gasket 11.9x7x1.5		
45	Gasket 18.5x12x2		
No	Spare parts		
1	Lid ø137 mm	10397202-SB	151007
3	Filter screen	77009699-SB	151038
4	Carrying belt (pair)	11923401	113722
5	Electronic	12075901	151083
6	Potentiometer knob, minimum order qty. 5 pcs	11922701	720838
7	Battery fixing plate	12075501	151106
12	Pump and motor	12017801	720463
16	Spray tube holder	11934001	113951
34	Battery pack 18 V Li-Power / 2.0 Ah *	12070301	150871
37	Air vessel	12098401	011851
39	Hose complete 1.3 m, G1/2"-G1/2"	12098301	011844
40	Trigger G1/2"	10966107	110615
	Gasket set for trigger	11973801	400853
42	Spray tube 50 cm curved, stainless steel	11669803	110639
43	Floodjet nozzle 1.6 mm (blue) (Herbicide nozzle)	10501803-SB	100241
44	Charger SC 30, 220-240 V, EU - plug type C *	12074501	150949



Floodjet nozzle 1.6 mm
(Organic Star 15 / Organic Star 15 Accu)

* Further information about the battery packs (2.0 - 10.0 Ah) and chargers, see page 8 / 79 / 80